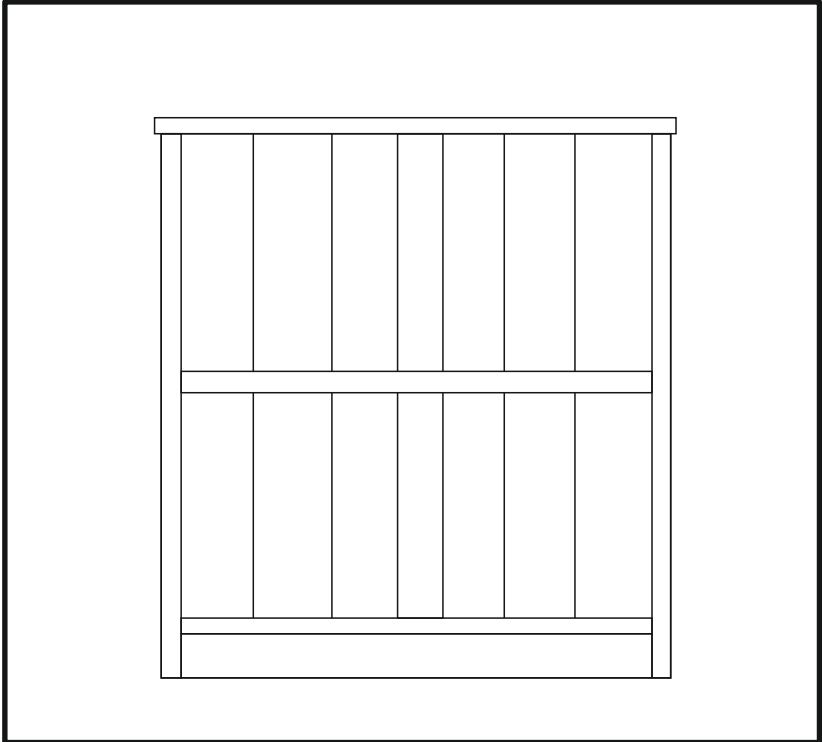


Little Folks

- FURNITURE -



Fargo Bookcase

Code: BKC001

PLEASE READ CAREFULLY & KEEP FOR FUTURE REFERENCE

Thank you for buying a **Little Folks** piece of furniture

Treated properly it should be a faithful servant for years - and we hope you get the same amount of pleasure from it. Before you do

- please take a few minutes to read these instructions
- we suggest you carefully unpack everything, lay it out on a clean, flat floor and identify everything on the parts list in these instructions. Do not throw away any packaging until you are sure you have all the parts.

If you have any problems assembling the product please call our customer services on 01985 300588 and we will try and help. If for any reason you wish to return the product, you must disassemble the product and pack in the original packaging.

Taking care of your product

Your furniture should require no more than a regular dust off with a soft cloth. If the furniture is not painted then a superior wood polish can be used - but never use polishes containing silicone.

If necessary it can be cleaned with a damp cloth with a mild detergent solution - and then dried with a lint-free cloth. Never clean with abrasives or chemical cleaners.

Direct sunlight or heat from a radiator can stain, discolour warp or crack furniture.

We know furniture can be heavy but try not to drag furniture across the floor as this can damage it.

PRODUCT SAFETY

Periodically check all fittings to ensure that none have come loose.

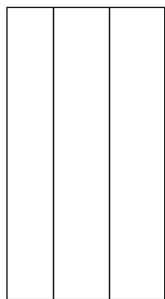
Keep away from direct sources of heat, such as electric, gas or wood fires.

Do not allow children to climb on the furniture. Larger items of furniture should be properly (and professionally) secured to the wall to prevent them toppling over. Using this furniture other than for its intended purpose could cause damage the structure or serious injury to your child.

The furniture should not be used if any structural part is broken or missing.

If you have any problems please do contact us for help on e mail customerservices@littlefolksfurniture.co.uk or phone our **CUSTOMER SERVICES 01985 300588**

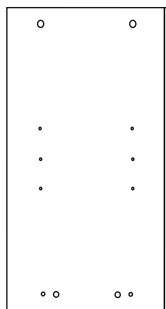
Parts list



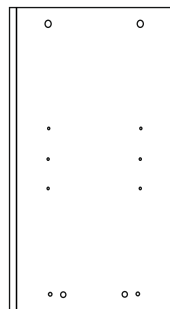
2 x Back PCS



Middle



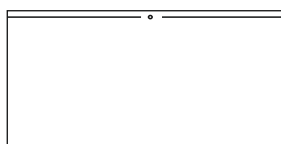
Left Side



Right Side



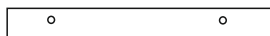
Top



Base



Shelf



Plinth

Fittings

8 x Dowels



12 x Cams



12 x Cam Pins

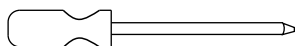


4 x shelf studs



Tools Req

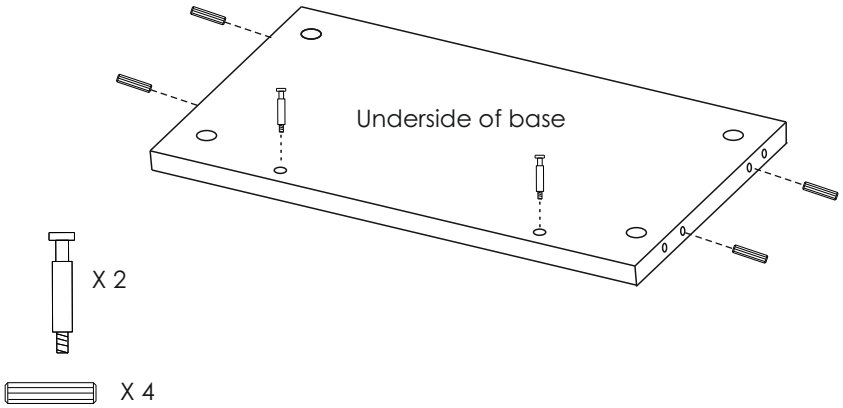
Screwdriver



Fit the base

2 x Cam Pins, 4 wooden dowels and a Screwdriver

Fit 2x Cam Pins into the smaller holes as shown and then push the wooden dowels into the large end holes of the base panel.

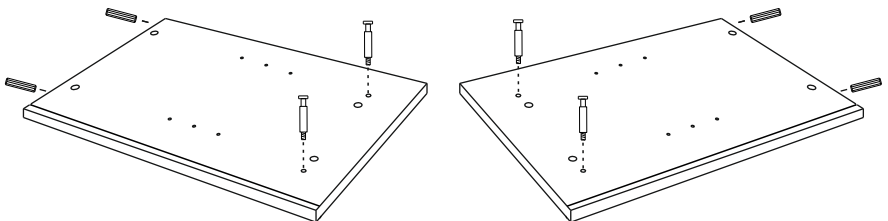
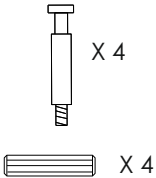


Fit the two sides

4 x wooden Dowels and 4 x cam pins

push the 4 wooden dowels into the large holes at the top of each side.

Then screw in 4 x cam pins into the smaller holes as seen



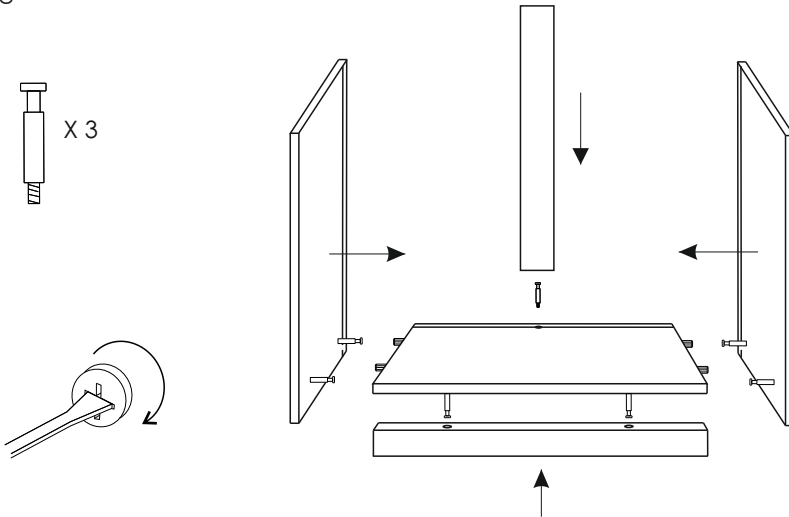
Assemble the bookcase

3 x cam pins and 7 x cams

fix the plinth to the underside of the base, insert 2 x cams into the plinth holes and tighten.

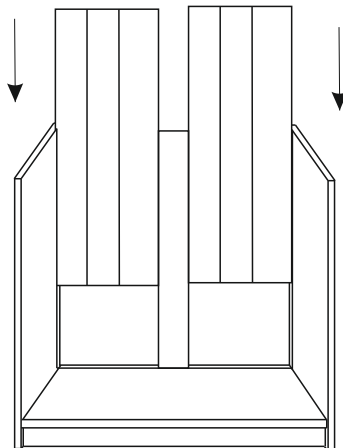
Align the sides to the base & plinth and connect the parts using the fittings that you have already applied. Now insert 4 x cams into the holes and tighten.

Fix one cam pin into the base panel at the rear (see image) then align the middle piece onto the cam pin (cam hole facing outwards), insert the cam and rotate to tighten.



Slip in the back panels

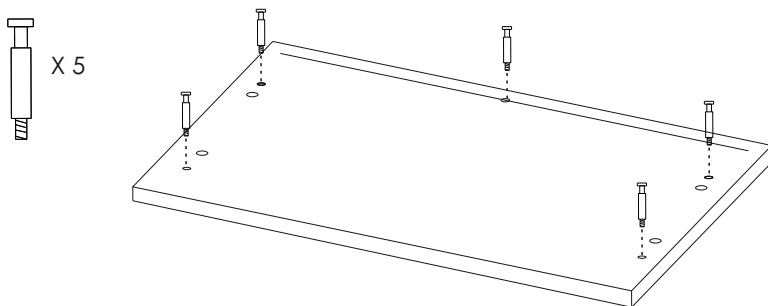
Slide the two back panels down the slots and into the bottom groove in the base. Please orientate the back panels with the decorative groove facing inwards



Fix the top

5 x cam pins

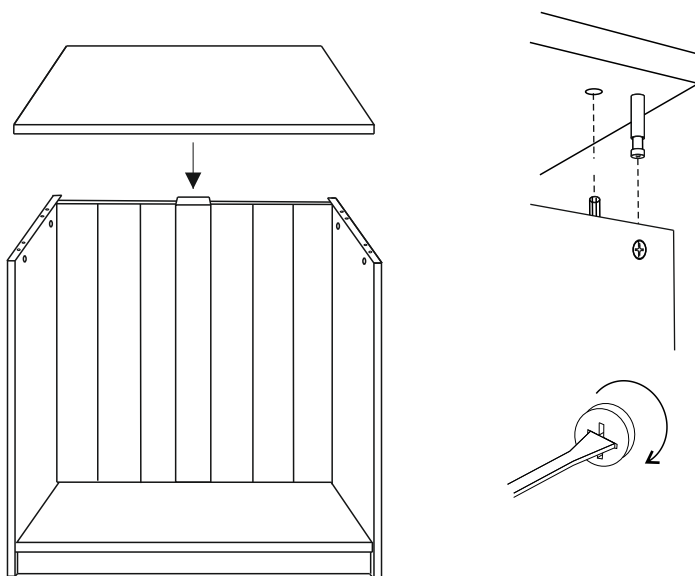
Now lower the top down onto the carcass. Line up the cam pins, wooden dowels and back panels so that the all parts are connected. Rotate the cam pins to tighten the parts together.



Connect the top

5 x cams

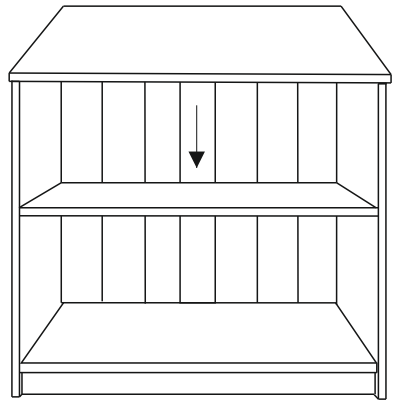
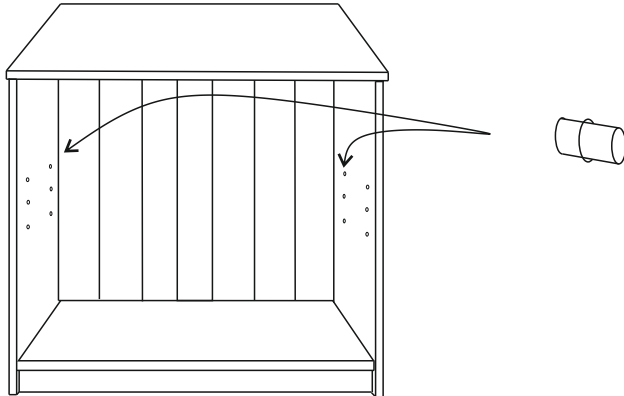
Now lower the top down onto the carcass. Line up the cam pins, wooden dowels and back panels so that the all parts are connected. Rotate the cam pins to tighten the parts together.



Drop in the shelves

4 x shelf studs

insert 2 studs into each side panel, selecting the height of the shelf.
now simply rest the shelf on the studs.



Locate the bookcase

Decide where you would like to place the bookcase, now gently lift the bookcase into place making sure that the bookcase is on a stable surface.